

插入式直动补油溢流阀 (压力不可调)

Direct Acting Relief and Anti-Cavitation Valves

DRV0M-18 系列

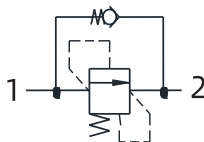
DRV0M-18 Valve Series

公制插孔—420bar

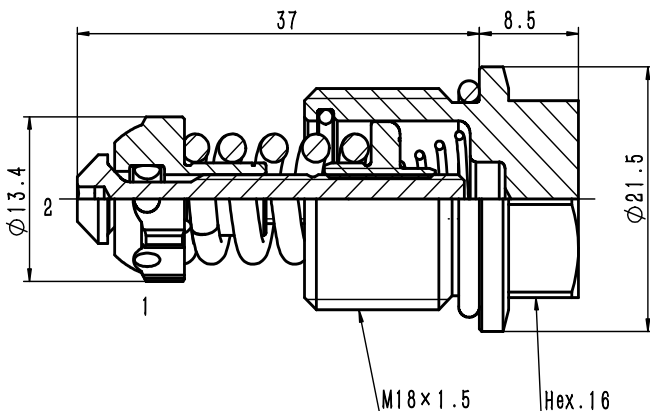
Metric Cartridge — 420 bar



原理图 Symbol



尺寸图 Dimensions



描述 Description

该阀在紧凑型螺纹插装阀结合了减震阀和通过止回阀实现补油的典型功能。在压力下的泄压功能，它是通过一个侧入式鼻排气阀完成的，由于智能导流板设计实现非常低的压力上升。当压力在高压端口(1)达到阀门设定，阀门启动打开通往油箱端口(2)。在自由反向液流中一个非常轻的偏置弹簧允许液流易于从鼻端流到侧端(2到1)。高精度加工保证快速响应负载变化，有限迟滞和减少内部和外部泄漏。

The valve combines in one compact insert cartridge the typical function of shock relief valve and anti-cavitation through the check valve. In the pressure relief function it's a side-in nose-exhaust valve, with very low pressure rise thanks to the smart deflector design. When the pressure at the high pressure inlet(1) reaches the valve setting, the valve starts to open to tank (2). In the free reverse flow function a very light bias spring allows for ease of flow passage from nose to side (2 to 1). High precision machining guarantees quick response to load changes, limited hysteresis and reduced internal and external leakage.



技术特性 Technical Features

锥阀经过热处理硬化并经过精密加工, 保证更低的内泄漏及更长的使用寿命。外部零件外表面都是经过镀锌处理和防腐蚀处理。所有零部件均采用高强度钢材制造。结构紧凑、体积小。压力由生产工厂设定, 出厂后不可调节。可选的弹簧压力范围最大至 420bar。

Poppet is hardened and ground to guarantee minimal wear and to extend service life. All external surfaces are zinc plated and corrosion-proof. All valve parts are made of high strength steel. Compact size. Pressure setting is pre-adjusted by the factory and cannot be changed. Optional spring ranges to 420 bar .

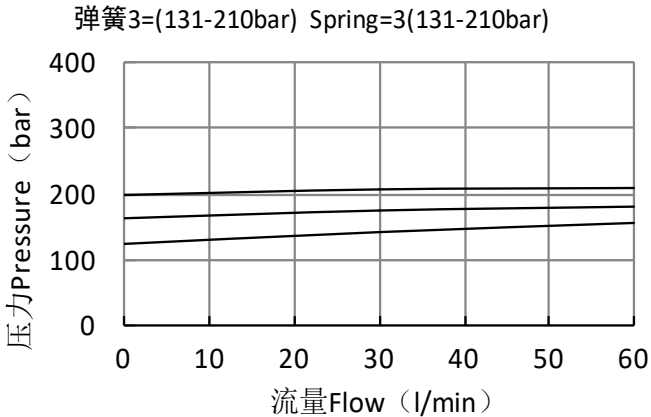
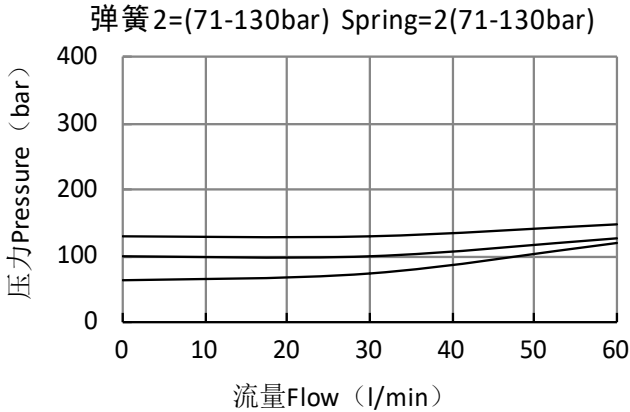
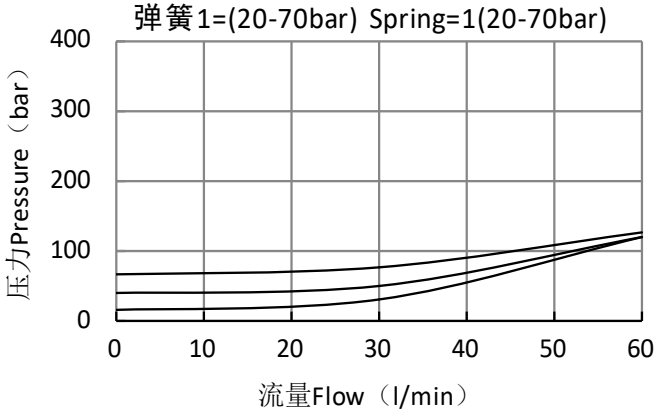


技术参数表 Technical Data

最大工作压力 Maximum operating pressure	420 bar
最大流量 Maximum flow	60 l/min
设定压力 Setting pressure	查看订货选型表 See table in Ordering code
单向阀开启压力 Anti-cav cracking pressure	<0.5bar
最大内泄漏量 Maximum internal leakage	1 cc /min @ 80%设定压力 1 cc /min @ 80% nominal set point
外露零件表面处理要求 External component treatment	Zn/Fe - standard Zn/Ni
O型圈温度范围 O-ring Temperature Range	-30° C to 110° C (标准密封NBR-BUNA-N)
适用油温范围 Oil Temperature Range	-30° C to 110° C
达到设定压力时的流量 Pressure settings established	10 l/min
适用工作介质 Fluids	矿物油或具有润滑性的合成油液 Mineral - based or synthetics with lubricating properties
工作介质粘度范围 Viscosities	7.4 to 420 cSt
过滤要求 Filtration	20/18/15 ISO 4406 (maximum filtration admitted)
安装方向 Orientation	无限制 No restrictions
安装力矩 Installation torque	35-40 Nm (Hex. 16)
密封件代号 Seal kit code	SK.005
测试条件 Technical specifications for characterization	见尾页 1-2 see the last page 1-2
测试液压油型号 Oil testing condition	ISO VG 46 cSt
重量 Weight	0.060 kg

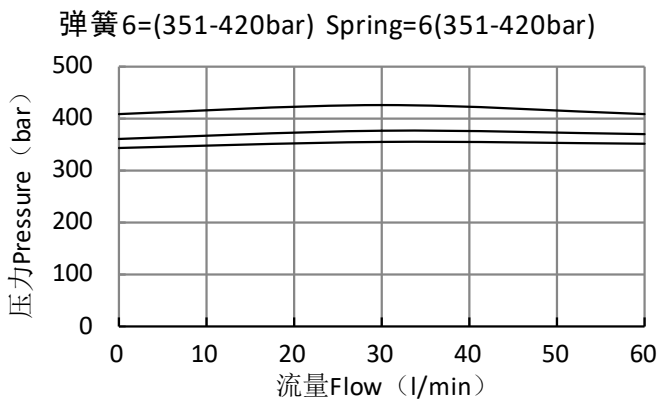
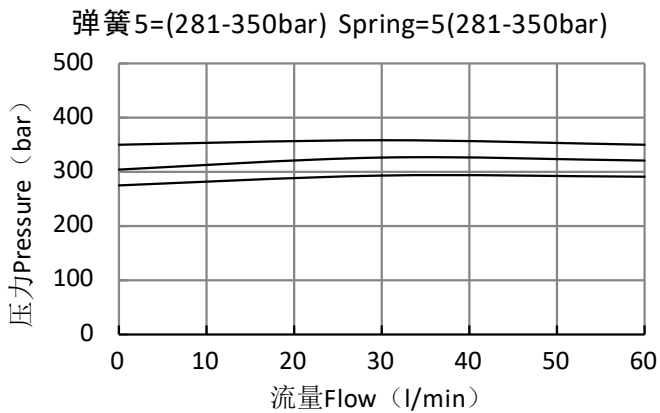
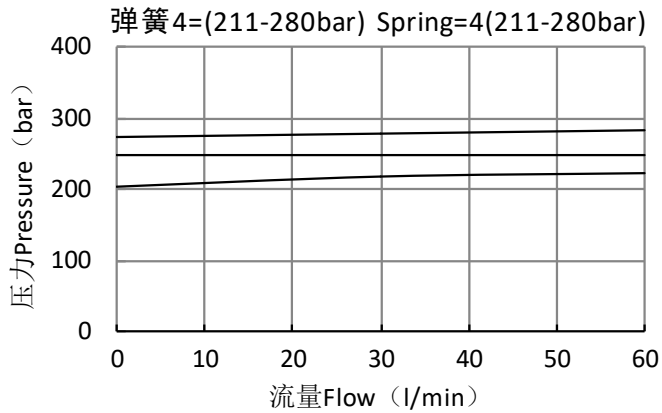


特性曲线 Performance



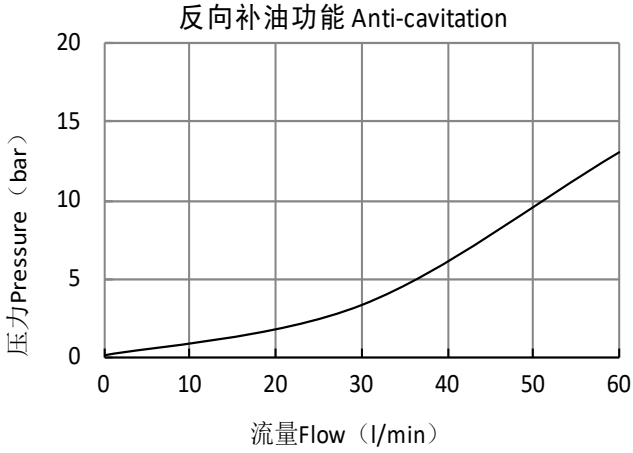
注意：特性曲线图显示出了弹簧的每个偏差选择的流量处理能力。在油温为 40 °C 和粘度为 46 cst 时记录了 p/Q 曲线。

NOTE: The performance chart illustrates flow handling capacity for each spring bias options. p/Q curves are recorded at TOil = 40° C and 46 cSt



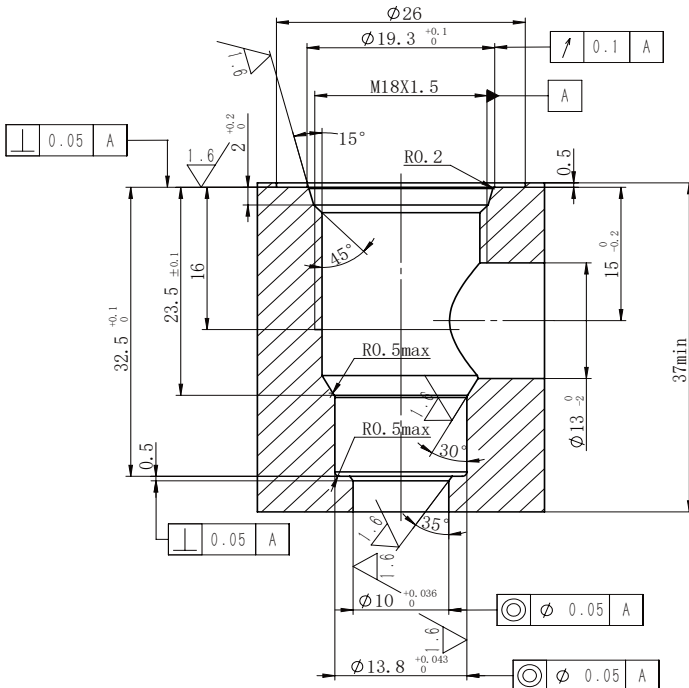


特性曲线 Performance



插孔图 Cavity

VH002





订货编号 Ordering code

DRV0M - 18 - D * - ***

阀系列编号
Valve basic code

插孔规格 Cavity
18= M18*1.5 螺纹
18= M18*1.5 Thread

标识 marking
D=工厂常规标识, 可根据不同的客户要求
进行标识
D=standard factory marking, customized
marking can be done upon request

设定压力bar数
Setting pressure in bar

压力弹簧选型 spring options

弹簧型号 Spring model	压力设置范围 Pressure setting range (bar)
1	20-70
2	71-130
3	131-210
4	211-280
5	281-350
6	351-420